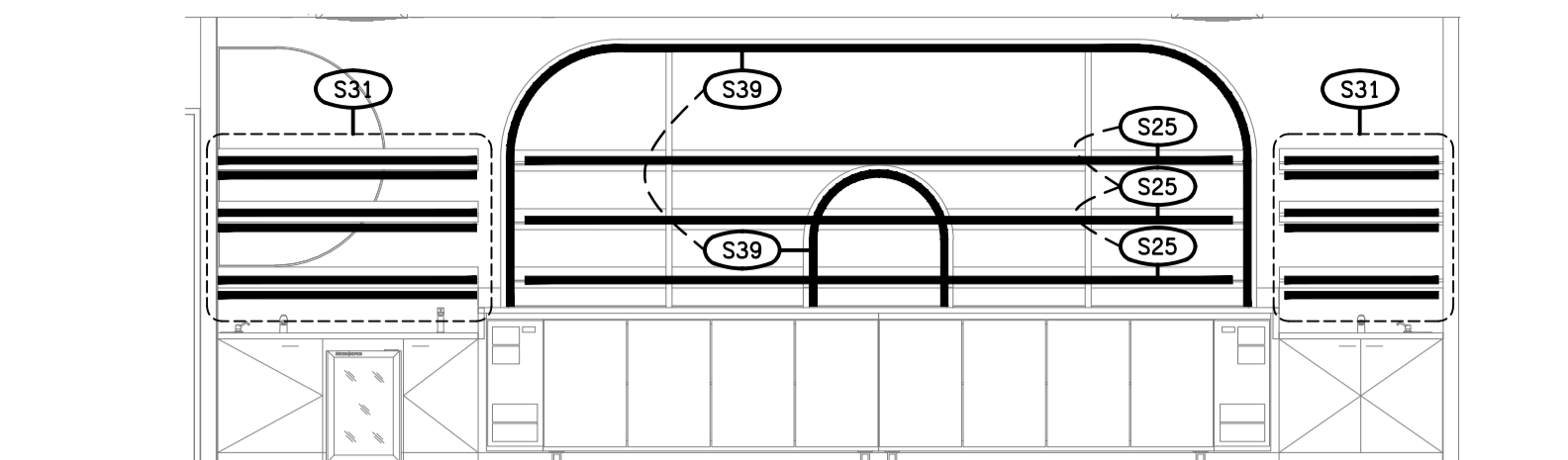
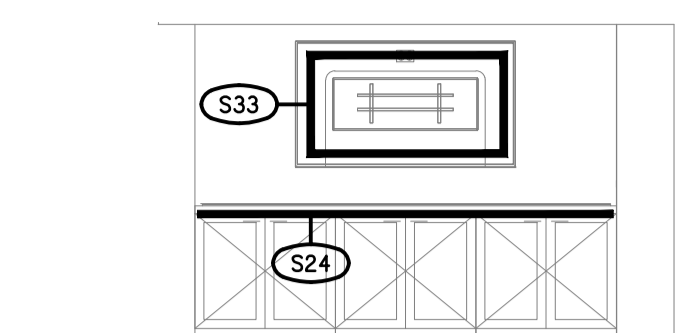


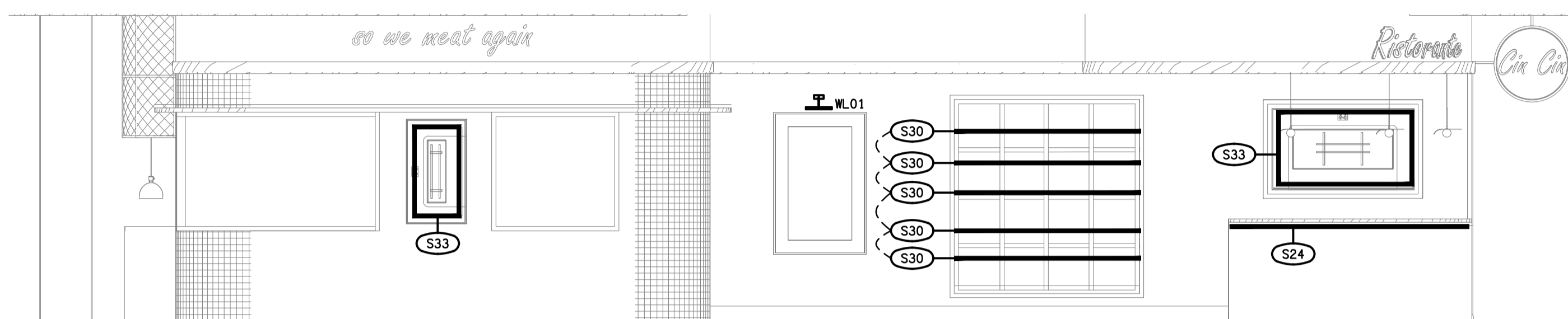
**DETAIL C1A**  
LOUNGE S24 ELEVATION  
SCALE 1:50



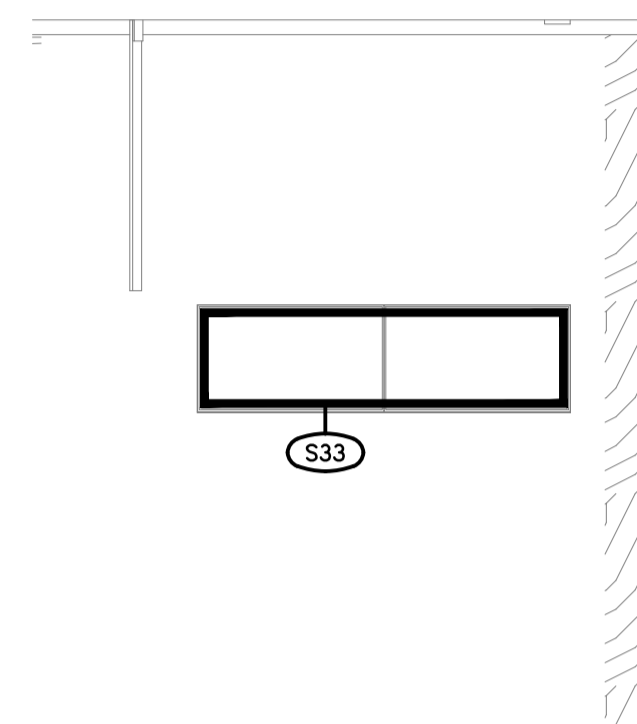
**DETAIL C1B**  
LOUNGE S25, S31 & S39 ELEVATION  
SCALE 1:50



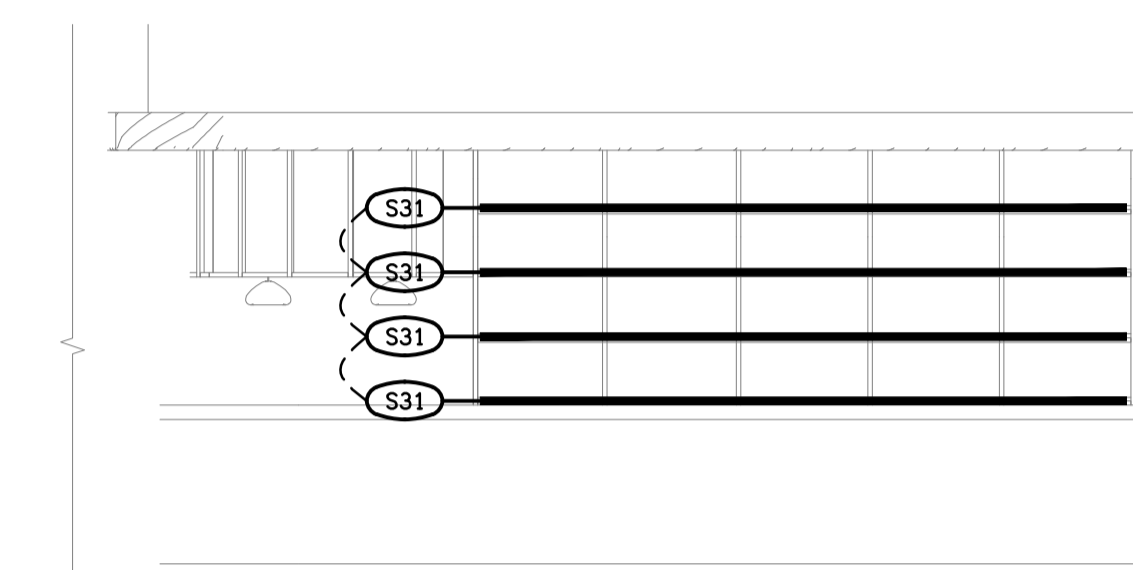
**DETAIL C5**  
FUNCTION S34 ELEVATION  
SCALE 1:50



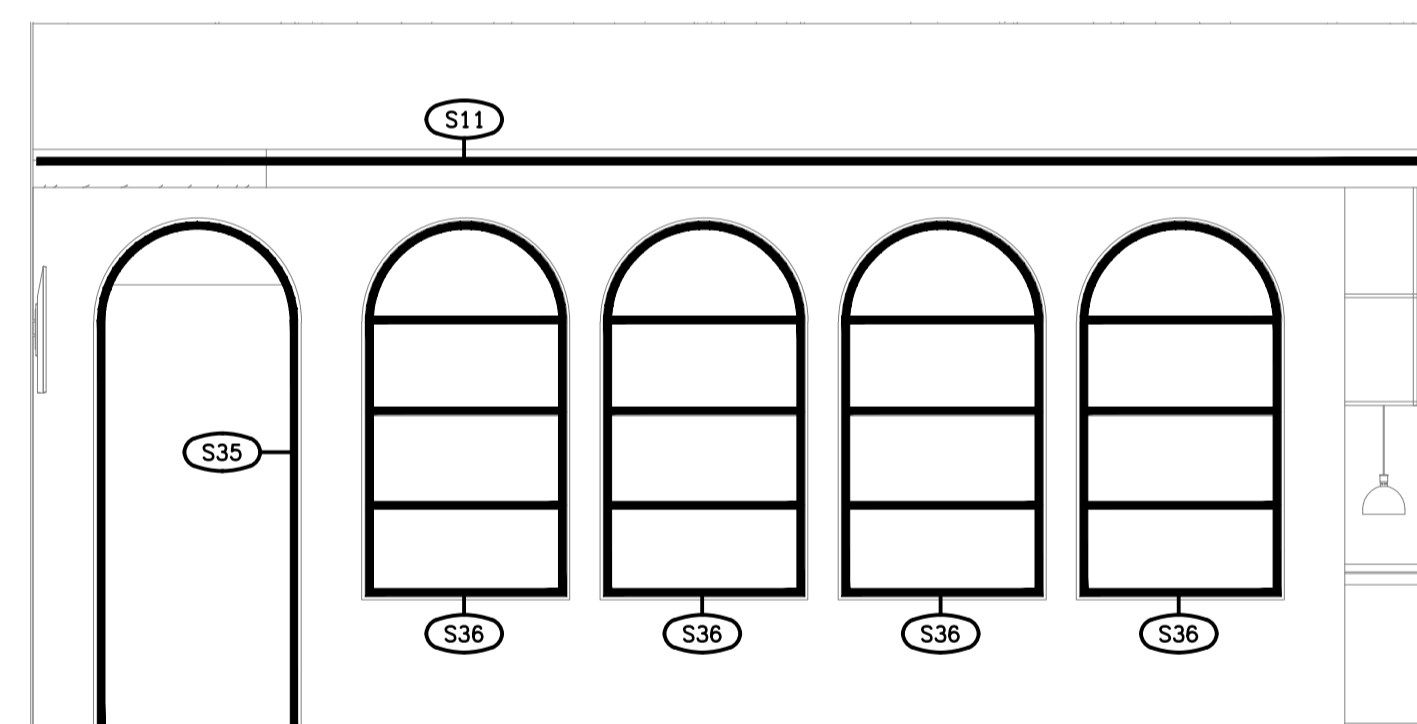
**DETAIL C2**  
BISTRO S24 & S30 ELEVATION  
SCALE 1:50



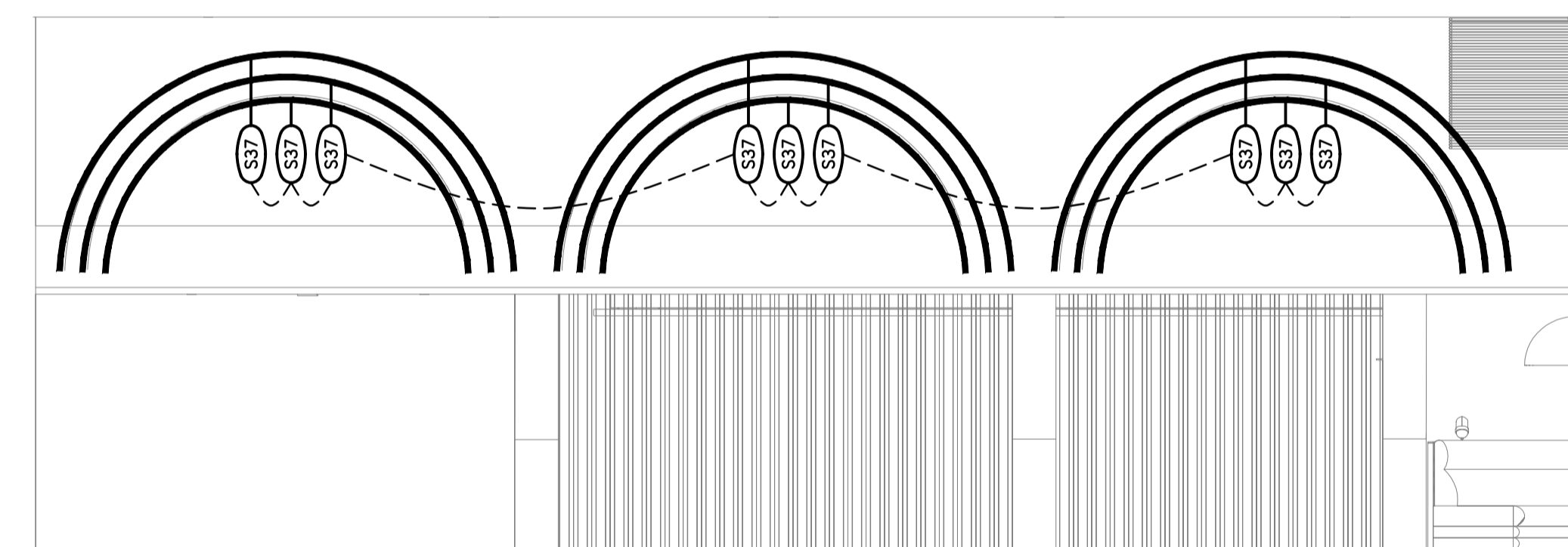
**DETAIL C3**  
BISTRO TV S33 ELEVATION  
SCALE 1:50



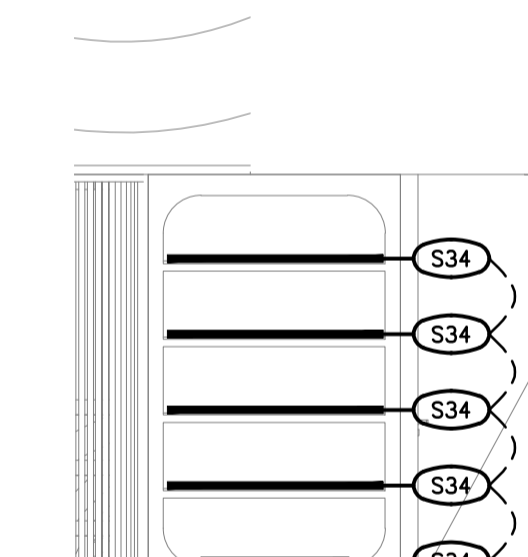
**DETAIL C4**  
BISTRO S31 ELEVATION  
SCALE 1:50



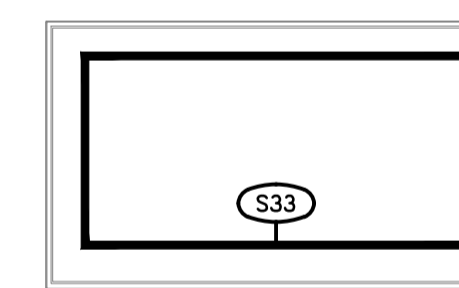
**DETAIL C6**  
BISTRO S35 & S36 ELEVATION  
SCALE 1:50



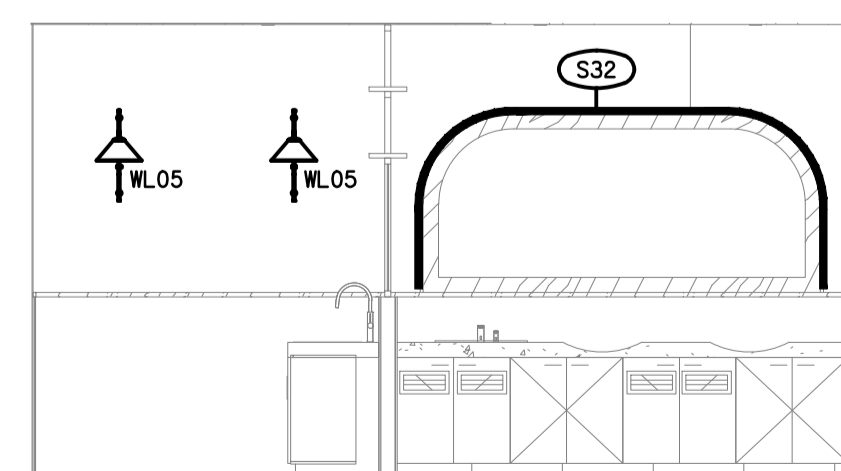
**DETAIL C7**  
BISTRO S37 ELEVATION  
SCALE 1:50



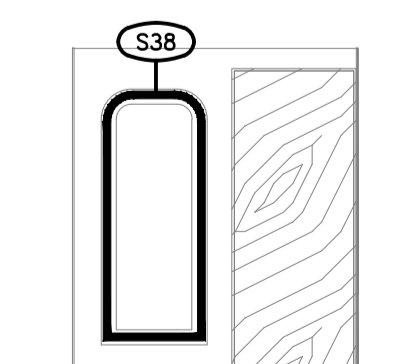
**DETAIL C8**  
KIDS S34 ELEVATION  
SCALE 1:50



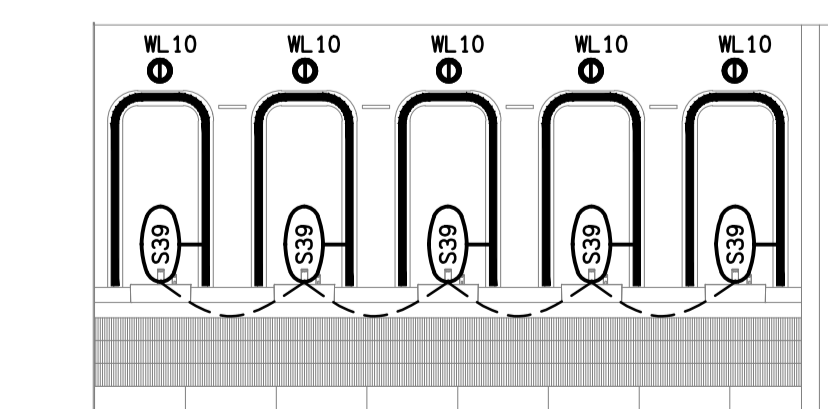
**TYPICAL DETAIL**  
TV S33 ELEVATION  
NOT TO SCALE



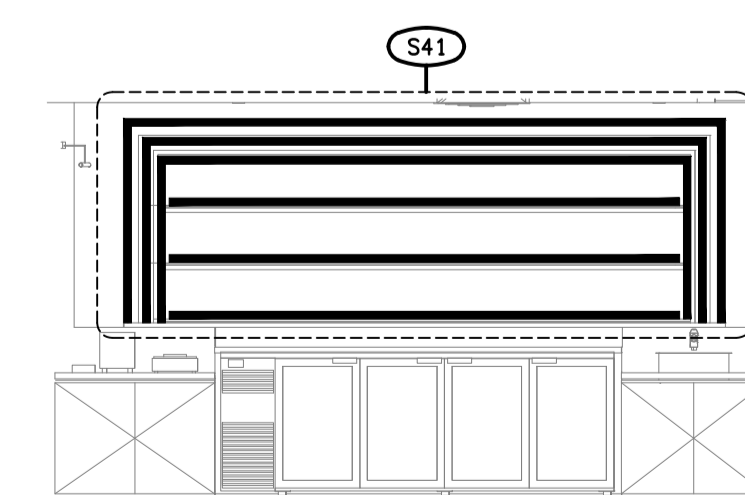
**DETAIL C9**  
PARENTS ROOM S32 ELEVATION  
SCALE 1:50



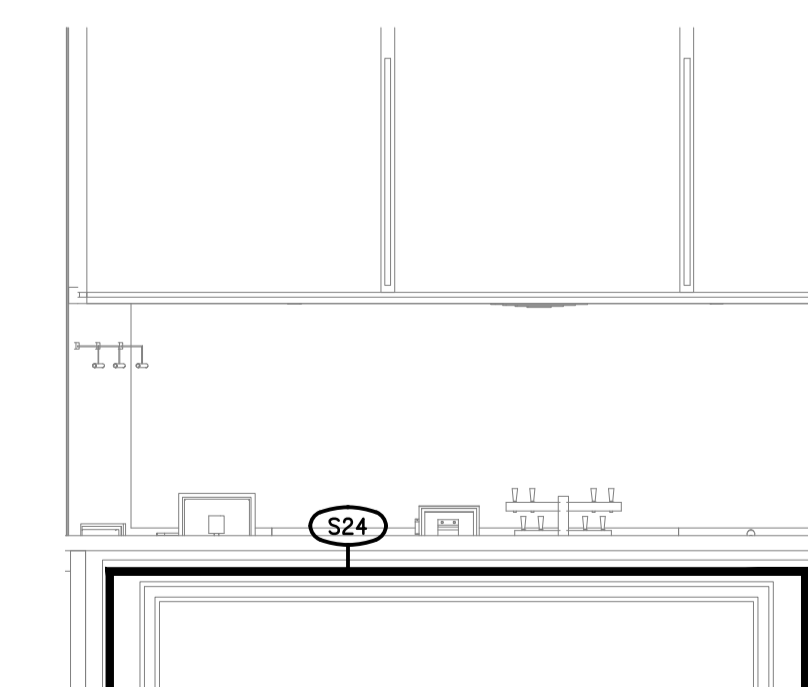
**DETAIL C10**  
FEMALE AMENITIES S38 ELEVATION  
SCALE 1:50



**DETAIL C11**  
FEMALE AMENITIES S39 ELEVATION  
SCALE 1:50



**DETAIL C12**  
GAMING BAR BACK S41 ELEVATION  
SCALE 1:50



**DETAIL C13**  
GAMING BAR FRONT S24 ELEVATION  
SCALE 1:50

B	75% DEVELOPMENT	02/10/2024
REV:	DESCRIPTION:	DATE:

**ELECTRICAL DESIGN GROUP**  
ELECTRICAL BUILDING SERVICES CONSULTANTS

BRISBANE: P.O. Box 15 Sherwood Qld 4075  
Phone: (07) 3278 4375  
Email: brisbane@edg.net.au  
Web: www.edg.net.au

ELECTRICAL DESIGN GROUP BRISBANE PTY LTD  
ACN 092 710 793

TRADING AS:  
ELECTRICAL DESIGN GROUP

PROJECT:

**CABOOLTURE SPORTS CLUB REFURBISHMENT**

SITE ADDRESS:  
19-27 STATION ROAD, MORAYFIELD

SCALE: SHEET SIZE:

1:50 AT A1

DRAWING TITLE:

**ELECTRICAL SERVICES  
GROUND LEVEL PART C  
DETAILS**

PROJECT NO. DRAWING NO. REVISION:

**C3264a E13 B**